

С. Торайғыров атындағы Павлодар мемлекеттік университетінің
ҒЫЛЫМИ ЖУРНАЛЫ

НАУЧНЫЙ ЖУРНАЛ
Павлодарского государственного университета имени С. Торайгырова

ШМУ ХАБАРШЫСЫ

Энергетикалық сериясы
1997 жылдан бастап шығады



ВЕСТНИК ПГУ

Энергетическая серия
Издается с 1997 года

ISSN 1811-1858

№ 3 (2019)

Павлодар

НАУЧНЫЙ ЖУРНАЛ

Павлодарского государственного университета имени С. Торайгырова

Энергетическая серия

выходит 4 раза в год

СВИДЕТЕЛЬСТВОО постановке на учет, переучет периодического печатного издания,
информационного агентства и сетевого издания

№ 17022-Ж

выдано

Министерством информации и коммуникаций Республики Казахстан

Тематическая направленностьпубликация материалов в области электроэнергетики, электротехнологии,
автоматизации, автоматизированных и информационных систем,
электромеханики и теплоэнергетики

Подписной индекс – 76136

Бас редакторы – главный редактор

Кислов А. П.

к.т.н., доцент

Заместитель главного редактора

Нефтисов А. В., *доктор PhD*

Ответственный секретарь

Шапкенов Б. К., *к.техн.н., профессор***Редакция алқасы – Редакционная коллегия**

Алиферов А. И., *д.т.н., профессор (Россия)*
 Боровиков Ю. С., *д.т.н., профессор (Россия)*
 Новожилов А. Н., *д.т.н., профессор*
 Горюнов В. Н., *д.т.н., профессор (Россия)*
 Говорун В. Ф., *д.т.н., профессор*
 Бороденко В. А., *д.т.н., профессор*
 Клецель М. Я., *д.т.н., профессор*
 Никифоров А. С., *д.т.н., профессор*
 Марковский В. П., *к.т.н., доцент*
 Хацевский В. Ф., *д.т.н., профессор*
 Шокубаева З. Ж. *технический редактор*

За достоверность материалов и рекламы ответственность несут авторы и рекламодатели

Редакция оставляет за собой право на отклонение материалов

При использовании материалов журнала ссылка на «Вестник ПГУ» обязательна

МАЗМҰНЫ

Абдикулова З. К., Шырынбекова Б. Ж., Жапаров Е. О. Электромагниттік индукция құбылысын іс жүзінде қолдану	14
Айбульдинов Е. К., Колпек А. К., Рамазанова Н. А., Мырмин В. А. Инновациялық құрылыс материалдарын өндіру үшін энергетикалық өнеркәсіптік қалдықтарын пайдалану	23
Айсаяев С. Ұ., Шарипов Е. А. Мұнай өндірісіндегі құбырлардың сенімділігін анықтау	34
Айтмағамбетов А. З., Кулакаева А. Е., Кожаметова Б. А., Жаксылық А. Ғарыштық радиомониторинг үшін радиосәулелену көздерінің орналасуын анықтау алгоритмдер	41
Аканова А. С., Оспанова Н. Н. Жасанды нейрожелі арқылы өсімдіктерді тану	51
Ақуов А. М., Келаманов Б. С., Самуратов Е. К., Жумағалиев Е. У., Қуантаева М. Т. CaO-MgO-SiO ₂ -Al ₂ O ₃ -Cr ₂ O ₃ жүйесіндегі фазалық тепе-теңдіктер	60
Альчинбаева О. З., Алымов Н. Виртуальды ортада сигнал күшейткішінің моделін құрып оқыту	72
Амиров А. Ж., Сейпишева Э. К., Хасен Д. С. 3D модельдеуді зерттеу және дамыту	86
Арынгазин К. Ш., Карпов В. И., Акишев К. М. Техногенді қалдықтарды пайдалана отырып, құрылыс бұйымдарын өндірудің технологиялық жүйесінің құрылымдық-функционалдық моделін әзірлеу	95
Ахмедов К. М., Олейник А. И., Ткенов Ш. А. Жұмсақ шатырды күшейту деформациясын сандық зерттеу	107
Бекеева С. А., Еселханова Г. А., Кантарбаева А. Д., Князов Е. Ж. Кәсіби қауіпсіздікті және кепілдік тәуекелдері барлығына қатысуға арналған өнеркәсіптік ақаулықтарды зерттеу нәтижесі	115
Булатбаева Ю. Ф., Булатбаев Ф. Н., Лисицын Д. В., Нурмағамбетов Е. Б., Юсупов Т. С., Шакилдек Е. Е. Трансформаторлардағы негізгі жүктеме қосылыстарының асимметриясынан белсенді қуат шығындарының мәндерін анықтау	123
Булатбаев Ф. Н., Каюмов Д. И., Булатбаева Ю. Ф. Көше жарықтандыруға арналған автоматты бақылау жүйелерін дамыту	136
Грищенко В. Ф., Төлөндіұлы С., Нұрланқызы А. Төмен орбиталық ғарыш аппараттарының борттық электронды аппаратураларының жады модульдерінің істен шығу қарқындылығын есептеу	149

В настоящей работе приведен анализ потребности и технической целесообразности использования электронагревателей в системах теплоснабжения. Предложено использование индукционных нагревательных установок при создании индивидуальных систем отопления. Рассмотрены электромагнитные системы преобразования электрической энергии в тепловую, выполненные в виде коаксиальных цилиндров с использованием ферромагнитных сердечников. Анализ проведен на основе магнитных схем замещения. Сформулированы пути оптимизации рассмотренных устройств, используемых при нагреве жидкостей в водонагревателях широкого назначения.

SRSTI 44.29.01

**B. K. Shapkenov¹, A. B. Kaidar², M. B. Kaidar³, A. P. Kislov⁴,
A. V. Neftisov⁵, V. P. Markovsky⁶, A. K. Zhumadirova⁷,
L. B. Tyulyuganova⁸, R. M. Irsymov⁹, O. T. Kozhanova¹⁰**

¹Candidate of Technical Sciences, Professor, S. Toraighyrov Pavlodar State University, Pavlodar, 140008, Republic of Kazakhstan;

²General manager, JSC «MC SEZ HimPark Taraz», Shu, 081128, Republic of Kazakhstan;

³Manager, JSC «KazTransGas», Nur-Sultan, 010000, Republic of Kazakhstan;

⁴Candidate of Technical Sciences, Professor, S. Toraighyrov Pavlodar State University, Pavlodar, 140008, Republic of Kazakhstan;

⁵Candidate of Technical Sciences, Professor, S. Toraighyrov Pavlodar State University, Pavlodar, 140008, Republic of Kazakhstan;

⁶Candidate of Technical Sciences, Professor, S. Toraighyrov Pavlodar State University, Pavlodar, 140008, Republic of Kazakhstan;

⁷Candidate of Technical Sciences, Professor, S. Toraighyrov Pavlodar State University, Pavlodar, 140008, Republic of Kazakhstan;

⁸doctorant, S. Toraighyrov Pavlodar State University, Pavlodar, 140008, Republic of Kazakhstan;

⁹undergraduates, S. Toraighyrov Pavlodar State University, Pavlodar, 140008, Republic of Kazakhstan;

¹⁰undergraduates, S. Toraighyrov Pavlodar State University, Pavlodar, 140008, Republic of Kazakhstan

e-mail: ¹argin_intel@mail.ru; ²argin_intel@mail.ru; ³m.kaidar@amangeldygas.kz;

⁴kislovpsu@mail.ru; ⁶wadim54@mail.ru

APPLICATION OF IGBT CONVERTERS FOR TRACTION DRIVES

Topicality of the research problem is based on the practical needs and possibilities (opportunities). The development of energy efficient transportation systems is a priority field in strategic programs. Trams are one of the most efficient transportation vehicles in cities. The requirements for public transportation include energy efficiency, environment saving, comfort, safety, attraction and reliability. This is a specific field where transportation of each city is a unique system that is described with technical parameters: specific width of tramway, type of supply voltage, type of overhead contact line and current collection devices, certain

vehicle and wagon types and traditionally formed traffic conception. Tram operators and depots of each city are a tram building enterprises in a sense, because trams need regular maintenance, repair and modernization.

Keywords: motor torque-speed operation ranges, electric transportation system, controllability of the multi-motor drive system, the field-weakening range, traction force distribution problems, overcurrent or overvoltage protection systems.

INTRODUCTION

Light-rail vehicles are mainly vehicles with light-weight intended for use in short distances. Trams are light-rail vehicles that are intended to be used on tramways in city streets. Trams usually consist of one to three tramcars. Light-rail vehicles usually have multiple traction motors that are connected as one drive system. Different drive configurations are used on different types of rail vehicles. These traction drive configurations and control systems should fulfil all the needed functions with required response and accuracy, function correctly in all modes of operations and environment conditions and should also be reliable, disturbance insensitive, stable, with suitable construction, easily testable, maintainable, repairable and reasonably low-priced. Mainly, such modern control systems are implemented using software-based control on microprocessor control systems.

The control of all bogies with one acceleration rheostat is used on old ČKD Tatra tramcars (also in Oskemen, Temirtau, Karaganda). Such a system does not allow separate control of bogies or anti-slip control. The bridge circuit shown in Figure 1 is used to stabilize magnetization on electrical braking. Series connection of different motors is the only possibility for torque and current equalization there.

MAIN PART

The armature current of one bogie is series connected with the excitation of another bogie using such a bridge circuit. This circuit is also keeping magnetization current on freewheeling and thus has a weak self-braking effect. Real systems in addition to circuits described in the simplified circuit diagram, require eight contactors for drive reversing, six contactors for field weakening control and contactors for switching between the driving and braking mode.

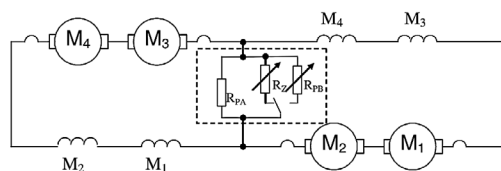


Figure 1 – Simplified main circuit on braking of an old rheostat-controlled tram

Several resistors are used for control and limiting of current – R_{PA} that is continuously in circuit and required for magnetization and R_Z or acceleration rheostat used for the control of traction and braking force. The given circuit does not allow complete freewheeling because of magnetization supply that causes weak self-braking. In addition to rheostat R_Z , the current is controlled using resistor R_{PB} that is on the roof of ČKD Tatra KT4 tramcar. Given braking circuit is also widely used in many switch-mode converter based traction drives – in Almaty [1] and Nur-Sultan [2]. The boost converter is connected instead of rheostat R_Z and resistors R_{PA} , R_{PB} that allow regeneration of braking energy to the contact network. The main disadvantage of this circuit is the complexity of operation and a large amount of contactors.

The system with one rheostat described in Figure 2 lacks torque equalization possibilities because both bogies are connected in parallel and currents cannot be separately controlled.

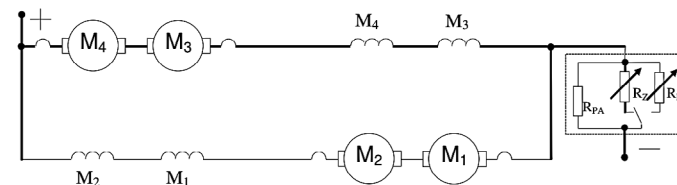


Figure 2 – Simplified main circuit on driving of an old rheostat-controlled tram

The main drawback of such a circuit is lack of constant speed operation mode. Constant speed cannot be kept without freewheeling or braking which leads to high losses in the acceleration rheostat and inefficient operation of traction motors.

Measurements of electronic equipment depend on the available width of vehicles. The choice of DC motors is economically reasonable because of the reliability of existing traction motors and remaining long lifetime. Thus, the need for special solution led to the development of a new traction drive. The power unit [3] hardware developed by the author of the thesis is designed for use with both DC traction motors and AC traction motors (asynchronous motors). The new drive system enables effective regeneration of the braking energy to the contact network and combined regenerative braking mode with the use of the braking resistor. The common magnetization circuit and its control allow the simplification of the power circuit with reduced component amount and cost. Separate power circuit wiring is needed for separate control of bogies, but the system is more flexible, redundant and allows the use of smaller and cheaper power modules than the single converter system. Traction and braking force are controlled automatically using separate modules of the traction converter. Limiting of armature current of DC motors using switch-mode

converters is needed for limiting of the output torque and power on acceleration and braking. Replacement of series-excitation with separate magnetization leads to more stiff characteristics of traction motors. This problem can be smoothed via appropriate control of traction motor currents. The voltage of magnetization is low that leads to very small duty-ratio of the excitation converter. Switch-mode is suitable because of high time-constant that avoids discontinuous current operation. The main circuit diagram of the new drive system is given in Figure. 3.

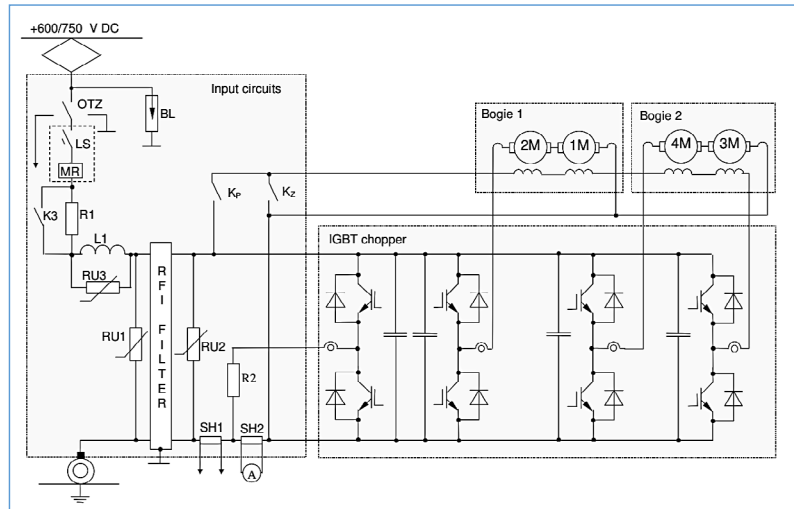


Figure 3 – The new main circuit for modernization of Tatra trams

The magnetization of all traction motors in tramcar (according to Figure 3) is supplied through one converter, thus magnetization cannot be separately controlled. The electromotive force of all bogies is checked to allow field weakening of all bogies. This is done via output voltage monitoring of all current controllers. A speed sensor is used in system to estimate electromotive force for ensuring stable magnetization control on freewheeling and instability conditions.

The excitation voltage should be continuously controlled to keep excitation current stable because the input voltage of the vehicle varies in a wide range and resistance R_f of the series connected excitation winding depends on the temperature. Numerical PI controller can be used for the compensation of these disturbances. Stable regulation of magnetization is important because transients and dynamic errors of magnetization current lead to transients in electromotive forces of all traction motors. The control of excitation current in the new drive is shown in Figure 4, and in Figure 5.

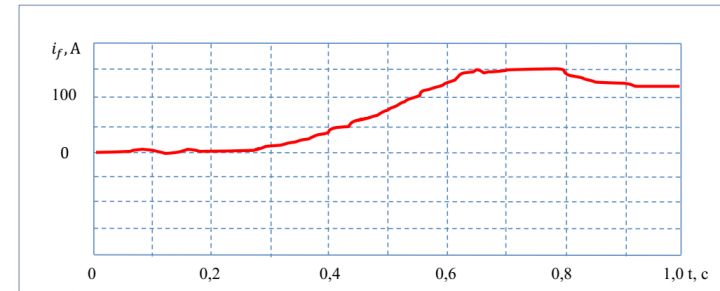


Figure 4 – Experiment of excitation current increase 0...150 A

Magnetization circuit is a slow control object because of high inductance.

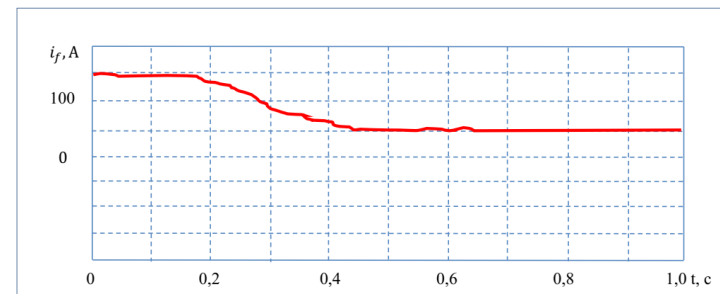


Figure 5 – Experiment of excitation current decrease 150...50 A

Current control on the steep step-change of the reference value is shown in Figure 5. The windings of four traction motors were connected in series during the experiment.

Magnetization is controlled differently in different modes of operation and conditions.

1 The controller is disabled (switched off) when the DC-link voltage is below the minimal voltage needed for magnetization supply. This allows stable excitation of motors at low supply voltages. Low voltages of DC-link and thus low voltages of magnetization occur on unstable braking when the system is disconnected from the network (off-line mode).

2 Upper limits of the magnetization current and voltage are needed to avoid saturation of magnetization poles that could lead to inefficient operation of motors. Increasing of the magnetization current for higher acceleration or braking torque is not reasonable because the increase of magnetic flux and torque is not significantly high on the increase of the magnetization current. The limit of the

magnetization voltage is needed to limit the magnetization current in the case of failure in magnetization current feedback.

3 Lower limit of the magnetization current is needed to limit the maximal driving speed. Higher speed cannot be allowed because the required braking power cannot be achieved, as the electromotive force cannot be increased over the maximal allowed voltage of DC-link capacitor bank. The maximal speed of traction motors is also limited for mechanical reasons.

4 The temporary limit of the magnetization current is needed when the magnetization circuit cannot be supplied from the network with the required power. This leads to the temporary limitation of the electromotive force of motors. This is needed during the charging process of the DC-link capacitor bank.

5 Temporary limit of electromotive force is used in the unstable uncontrollable self-braking mode. Outer-loop of control cascade is switched off and excitation is controlled only for reducing of the electromotive force. The operation of the outer loop is restored when self-braking ends. This allows bringing of self-braking bogie to a stable operation mode without trips in the overcurrent or overvoltage protection systems.

Control methods of traction drive systems can be divided according to the available modes of operation. Main operation modes of tram drives are the driving mode (on acceleration, deceleration or constant speed), the freewheeling mode without output electrical torque, and braking mode (including regenerative and dynamic brake). Different control and switching apparatus is needed for reversing, braking and field weakening of traction motors. The main disadvantage of series magnetization is its complicated power circuit and large amount of contactors needed for the control of magnetization. A multi-motor drive that has only one controllable rheostat or chopper requires contactors for field weakening and reversing of all series-magnetized traction motor groups. A comparison of different power circuits used on ČKD Tatra tramcars is given in Table 1. All the given configurations have the same amount and type of traction motors, but different control properties. New modernized drives have the control of traction and braking implemented via control systems with faster response. The amount of switches, such as contactors and power transistors, counted according to the circuit diagrams of vehicles is given in Table 1 – The maximal speed of trams used in Almaty [4, 5] is lower because of the smaller amount of contactors used for field weakening. Acceleration and maximal speed are also different because of different gear ratio and vehicle weight.

Table 1 – Switching elements in different drives with four DC traction motors

Function of switches	Symbols on original Tatra KT4	ČKD Rheostat KT4SU, KT4D	T3 Ganz Transelektro	KT6NF Kiepe	KT4, KT6T
Reversing contacts	P, Z	8	8	8	2
Field weakening contacts	F	6	4	2	0
Brake-mode contacts	B, M	5	4	2	0
Current control contacts	R	2 and acceleration rheostat	0	1	0
Supply line contactor contacts	LS	1	2	2	2
Separately controlled semiconductor switches	–	0	3	3	7

The use of separate magnetization in all modes of operation reduces the amount of contactors and allows the improvement of drive control properties. Slip problems occur because of stiff characteristics at low speeds [1].

Thus, current or torque limits should be used in the constant field range and in the field weakening range. In addition, more complicated software is needed than on series-magnetized drive systems. An original power circuit requires special controllers and control algorithms.

CONCLUSIONS

The following conclusions can be drawn from the experiments:

1 Control is slow because of high inductance, but this is not a disadvantage as it reduces the effects of disturbances.

2 All reversing contactors in the magnetization circuit should be switched off with delay to avoid electric arc on contacts. Anti-parallel freewheeling diodes on contactor windings can be used for delaying of contactors in the switching process.

3 Field weakening of all motors can be controlled using a single converter in the multi-motor traction drive.

REFERENCES

1 Кайдар, А. Б., Кайдар, М. Б., Тюлегенова, Л. Б., Кислов, А. П., Шапкенов, Б. К., Марковский, В. П. Колебания напряжения питания городского электротранспорта. Материалы международной научной

конференции молодых ученых, магистрантов, студентов и школьников «ХУІІ Сатпаевские чтения». – Павлодар : ПГУ им. С. Торайгырова, 2017, Ч.1, – С. 328–334. ISBN 978-601-238-706-3 Ч. 1. – 2017. – 401 с.

2 **Шапкенов, Б. К., Темирханов, Е. У., Кислов, А. П., Марковский, В. П., Кайдар, А. Б., Кайдар, М. Б., Тюлюгенова, Л. Б.** Сети с нелинейными нагрузками, генерирующими гармоники в среде тока и напряжения. Материалы Международной научно-практической конференции «УШТорайгыровские чтения», посвященной 25-летию независимости Республики Казахстан. – Павлодар : 2016 г. , т. 6, – с. 374–380. ISBN 978-601-238-669-1(Т.6).

3 Повышение эффективности электроснабжения городских электрических сетей: Монография / Б. К. Шапкенов, А. Б. Кайдар, А. П. Кислов, В. П. Марковский, М. Б. Кайдар. – Павлодар : Кереку, 2016. – 153 с. ISBN 978-601-238-674-5.

4 **Шапкенов, Б. К., Кайдар, А. Б., Кайдар, М. Б.** Оптимизация параметров и режимов работы городских электрических сетей: монография / Б. К. Шапкенов, А. Б. Кайдар, М. Б. Кайдар. – Алматы : Эверо, 2016. – 176 с. ISBN 978-601-310-762-2.

5 **Кайдар, А. Б., Кайдар, М. Б., Тюлюгенова, Л. Б., Кислов, А. П., Шапкенов, Б. К., Марковский, В. П.** Колебания напряжения питания городского электротранспорта. Материалы международной научной конференции молодых ученых, магистрантов, студентов и школьников «ХУІІ Сатпаевские чтения». – Павлодар : ПГУ им. С. Торайгырова, 2017, Ч.1, – С. 328–334. ISBN 978-601-238-706-3 Ч. 1. – 2017. – 401 с.

6 **Кайдар, А. Б., Шапкенов, Б. К., Марковский, В. П., Кислов, А. П., Кайдар, М. Б., Тюлюгенова, Л. Б.** Применение программы SaupTR для управления тяговыми сетями. Материалы международной научной конференции молодых ученых, магистрантов, студентов и школьников «ХУІІ Сатпаевские чтения». – Павлодар : ПГУ им. С. Торайгырова, 2017, Ч.1, С. 359-366. ISBN 978-601-238-706-3 Ч. 1. – 2017. – 401 с.

Material received on 12.08.19.

Б. К. Шапкенов¹, А. Б. Кайдар², М. Б. Кайдар³, А. П. Кислов⁴, А. В. Нефтисов⁵, В. П. Марковский⁶, А. К. Жумадилова⁷, Л. Б. Тюлюгенова⁸, Р. М. Ирсымов⁹, О. Т. Кожанова¹⁰

IGBT түрлендіргіштерін тарту электр жетектеріне қолдану

^{1,4,5,6,7,8,9,10}С. Торайгыров атындағы

Павлодар мемлекеттік университеті,

Павлодар қ., 140008, Қазақстан Республикасы;

²«ХимПарк Тараз» еркін экономикалық аймағын

басқару компаниясының» АҚ,

Шу қ., 081127, Қазақстан Республикасы;

³«ҚазТрансГаз» акционерлік қоғамы,

Нұр-Сұлтан қ., 010000, Қазақстан Республикасы.

Материал 12.08.19 баспаға түсті.

Б. К. Шапкенов¹, А. Б. Кайдар², М. Б. Кайдар³, А. П. Кислов⁴, А. В. Нефтисов⁵, В. П. Марковский⁶, А. К. Жумадилова⁷, Л. Б. Тюлюгенова⁸, Р. М. Ирсымов⁹, О. Т. Кожанова¹⁰

Применение IGBT преобразователей для тяговых приводов

^{1,4,5,6,7,8,9,10}Павлодарский государственный университет

имени С. Торайгырова,

г. Павлодар, 140008, Республика Казахстан;

²АО «УК СЭЗ ХимПарк Тараз»,

г. Шу, 081127, Республика Казахстан;

³АО «КазТрансГаз»,

г. Нур-Султан, 010000, Республика Казахстан.

Материал поступил в редакцию 12.08.19.

Зерттеу проблемасының өзектілігі тәжірибелік қажеттіліктерге және мүмкіндіктерге негізделген. Энергияны тиімді тасымалдау жүйелерін дамыту стратегиялық бағдарламаларда басым бағыт болып табылады. Трамвайлар қаладағы ең тиімді көлік құралдарының бірі болып табылады. Қоғамдық көлікке қойылатын талаптарға энергияны үнемдеу, қоршаған ортаны үнемдеу, жайлылық, қауіпсіздік, тартылу және сенімділік жатады. Бұл әрбір қаладағы көлік айрықша жүйе болып табылады, ол техникалық параметрлермен сипатталады: трамвайдың нақты ені, кернеудің типі, үстіңгі байланыс желісінің типі және ағымдағы жинау құрылымы, белгілі бір көлік құралы мен вагондардың түрлері және

дәстүрлі қалыптасқан трафик тұжырымдамасы. Әрбір қаланың трамвай операторлары мен қоймалары мағынасында трамвай құрылысы кәсіпорындар болып табылады, себебі трамвайлар тұрақты жөндеу, жөндеу және модернизация қажет.

Актуальность проблемы исследования основана на практических потребностях и возможностях. Развитие энергоэффективных транспортных систем является приоритетным направлением в стратегических программах. Трамваи являются одним из самых эффективных транспортных средств в городах. Требования к общественному транспорту включают энергоэффективность, экономию окружающей среды, комфорт, безопасность, привлекательность и надежность. Это специфическая область, где перевозка каждого города представляет собой уникальную систему, которая описывается техническими параметрами: удельной шириной трамвая, типом напряжения питания, типом контактной линии и устройствами сбора тока, определенными типами транспортных средств и вагонов и традиционно сформированным движением. Операторы трамваев и депо каждого города в некотором смысле являются предприятиями по строительству трамваев, потому что трамваи нуждаются в регулярном обслуживании, ремонте и модернизации.

ГРНТИ 29.19.22

**В. М. Юров¹, А. С. Балтабеков²,
С. А. Гученко³, В. Ч. Лауринас⁴**

¹к.ф.-м.н., доцент, Физико-технический факультет, Карагандинский государственный университет имени Е. А. Букетова, г. Караганда, 100028, Республика Казахстан;

²к.ф.-м.н., доцент, Физико-технический факультет, Карагандинский государственный университет имени Е. А. Букетова, г. Караганда, 100028, Республика Казахстан;

³магистр, Физико-технический факультет, Карагандинский государственный университет имени Е. А. Букетова, г. Караганда, 100028, Республика Казахстан;

⁴к.ф.-м.н., профессор, Физико-технический факультет, Карагандинский государственный университет имени Е. А. Букетова, г. Караганда, 100028, Республика Казахстан

e-mail: ¹exciton@list.ru; ²abskargu@mail.ru; ³guchen@mail.ru;

⁴vit-laurinas@rambler.ru

СВОЙСТВА ВЫСОКОЭНТРОПИЙНЫХ ПОКРЫТИЙ ПОСЛЕ ВЛИЯНИЯ СИЛЬНОТОЧНОГО ПУЧКА

В работе исследовано влияние облучения электронами на структуру и свойства плазменных покрытий. Покрытия получены при вакуумном распылении катодов Fe-Al и 12X18H10T. Исследованы микроструктура, микротвердость и коэффициенты трения до и после облучения электронами. После облучения изменяются все характеристики покрытий. Учет поверхностного натяжения на границе раздела фаз приводит к существенному изменению кинетики формирования покрытий. Чем больше поверхностное натяжение, тем меньше скорость диссипации свободной энергии. Это означает, что большая часть подводимой энергии идет на образование покрытия. При этом, как правило, формируются ячеистые наноструктуры, обладающие повышенной твердостью. Предложены методы определения и осуществлена оценка температур плавления и рекристаллизации плазменных покрытий. Установлено, что температура плавления покрытий, полученных в среде аргона выше, чем для покрытий, полученных в среде азота. Экспериментально показано, что покрытия 12X18H10T+Al, 12X18H10T+Fe-Al и

ПУБЛИКАЦИОННАЯ ЭТИКА
НАУЧНЫЙ ЖУРНАЛ ПГУ ИМЕНИ С. ТОРАЙГЫРОВА
(«ВЕСТНИК ПГУ», «НАУКА И ТЕХНИКА КАЗАХСТАНА»,
«КРАЕВЕДЕНИЕ»)

Редакционная коллегия журнала «Вестник ПГУ. Серия энергетическая» в своей работе придерживается международных стандартов по этике научных публикаций и учитывает информационные сайты авторитетных международных журналов.

Редакционная коллегия журнала, а также лица, участвующие в издательском процессе в целях обеспечения высокого качества научных публикаций, избежание недобросовестной практики в публикационной деятельности (использование недостоверных сведений, изготовление данных, плагиат и др.), обеспечения общественного признания научных достижений обязаны соблюдать этические нормы и стандарты, принятые международным сообществом и предпринимать все разумные меры для предотвращения таких нарушений.

Редакционная коллегия ни в коем случае не поощряет неправомерное поведение (плагиат, манипуляция, фальсификация) и приложить все силы для предотвращения наступления подобных случаев. В случае, если редакционной коллегии станет известно о любых неправомерных действиях в отношении опубликованной статьи в журнале или в случае отрицательного результата экспертизы редколлегией статья отклоняется от публикации.

Теруге 12.08.2019 ж. жіберілді. Басуға 23.09.2019 ж. қол қойылды.
Пішімі 70x100 ¹/₁₆. Кітап-журнал қағазы.
Шартты баспа табағы 26,0. Таралымы 300 дана. Бағасы келісім бойынша.
Компьютерде беттеген: А. Елемесқызы
Корректорлар: А. Р. Омарова, Д. А. Кожас
Тапсырыс № 3495

Сдано в набор 12.08.2019 г. Подписано в печать 23.09.2019 г.
Формат 70x100 ¹/₁₆. Бумага книжно-журнальная.
Усл. печ. л. 26,0. Тираж 300 экз. Цена договорная.
Компьютерная верстка: А. Елемесқызы
Корректоры: А. Р. Омарова, Д. А. Кожас
Заказ № 3495

«Toraighyrov University» баспасынан басылып шығарылған
С. Торайғыров атындағы
Павлодар мемлекеттік университеті
140008, Павлодар қ., Ломов к., 64, 137 каб.

«Toraighyrov University» баспасы
С. Торайғыров атындағы
Павлодар мемлекеттік университеті
140008, Павлодар қ., Ломов к., 64, 137 каб.
67-36-69
e-mail: kereku@psu.kz
www.vestnik.psu.kz